

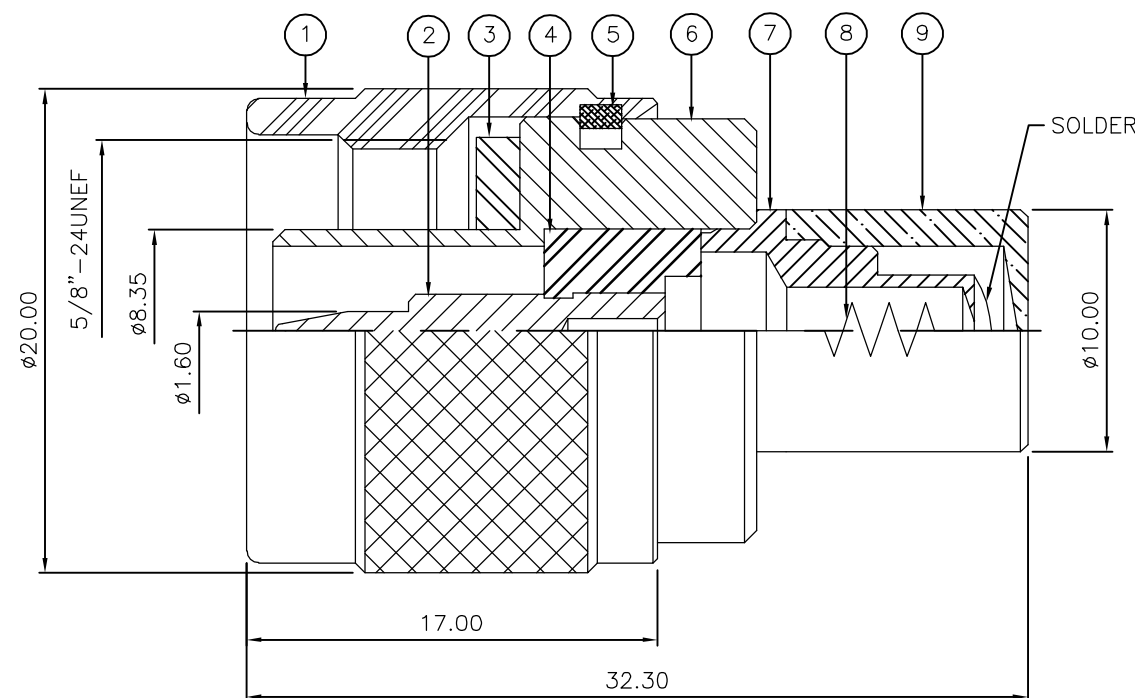
THIS DRAWING IS UNPUBLISHED. RELEASED FOR PUBLICATION MAY, 2006.

© COPYRIGHT 2006 BY TYCO ELECTRONICS CORPORATION. ALL RIGHTS RESERVED.

LOC	DIST	REVISIONS					
E	B	P	LTR	DESCRIPTION	DATE	DWN	APVD
		C		ECR-06-012053	23MAY06	JMS	FWK

NOTES:

- 1 PACK IN ACCORDANCE WITH AMP SPEC 107-3275
- 2 100 TRAY PACK IN ACCORDANCE WITH AMP SPEC 107-3275
- 3 Au PLATING
- 4 Ni PLATING
- 5 THIS ITEM MUST BE WHITE
- 6 ELECTRICAL CHARACTERISTICS
 FREQUENCY RANGE: DC - 2 GHz
 NOMINAL IMPEDANCE: 50 Ohm
 INSULATION RESISTANCE: 5000 MOhm
 WORKING VOLTAGE: 1000 Volts RMS at Sea Level
 DIELECTRIC WITHSTAND VOLTAGE: 2500 Volts RMS Max
 CONTACT RESISTANCE:
 CENTRE CONTACT: 1.00 mOhm Max
 OUTER CONTACT: 1.00 mOhm Max
 VSWR @ x 2 GHz: 1.20:1
 INSERTION LOSS @ 2 GHz: 0.30 Max
- 7 MECHANICAL CHARACTERISTICS
 COUPLING RETENTION FORCE: 445 N Min
 DURABILITY: 500 Cycles Min
- 8 ENVIRONMENTAL CHARACTERISTICS
 OPERATING TEMPERATURE: -65 to +165 DegC
- 9 FOR TECHNICAL DATA REFER TO YOUR LOCAL TYCO ELECTRONICS SALES OFFICE
- 10 ALL DIMENSIONS ARE NOMINAL FOR REFERENCE ONLY UNLESS OTHERWISE STATED



QTY	QTY PER ASSY	QTY PER ASSY	MATERIAL	DESCRIPTION	ITEM
1	1	1	BRASS	CAP	9
1	1	1	1/2W-50 OHM	RESISTOR	8
1	1	1	BRASS	CHASSIS	7
1	1	1	BRASS	BODY	6
1	1	1	BRASS	CIRCLIP	5
1	1	1	PTFE	INSULATION	4
1	1	1	SILICONE RUBBER	GASKET	3
1	1	1	BRASS	CONTACT	2
1	1	1	BRASS	COUPLING NUT	1
6--0	1--0		MATERIAL	DESCRIPTION	ITEM
QUANTITY PER ASSY			PARTS LIST		

THIS DRAWING IS A CONTROLLED DOCUMENT.		DWN J.SANDWELL 23MAY06	Tyco Electronics Corporation Bideford EX39 4HE		
DIMENSIONS: mm		CHK S.PARLOW 23MAY06			
TOLERANCES UNLESS OTHERWISE SPECIFIED:		APVD F.WHEELER-KING 23MAY06	NAME TYPE 'N' PLUG TERMINATION 50 OHM		
0 PLC ± - 1 PLC ± - 2 PLC ± - 3 PLC ± - 4 PLC ± - ANGLES ± -		PRODUCT SPEC -	-		
MATERIAL SEE TABLE		FINISH -	APPLICATION SPEC -	-	
		WEIGHT -	SIZE A3	CAGE CODE 00779	DRAWING NO C-1337638
CUSTOMER DRAWING			SCALE NTS	SHEET 1 OF 1	REV C